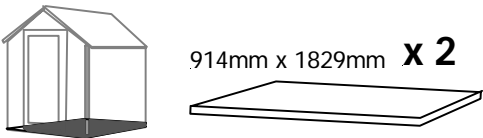
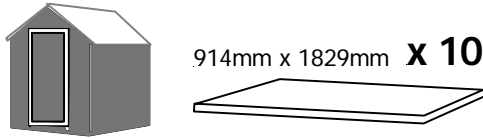
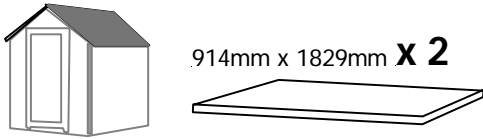
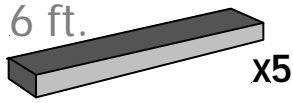
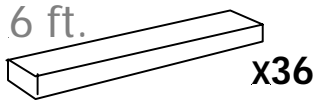
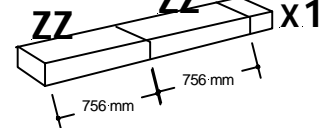
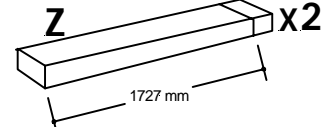
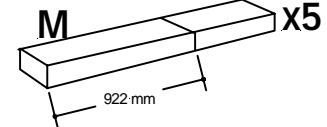
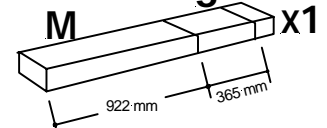
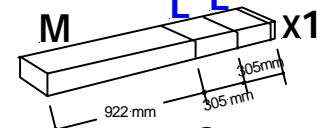
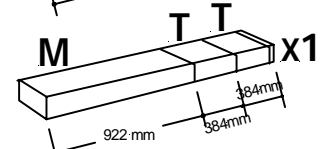
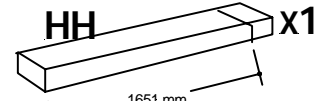
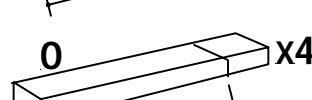
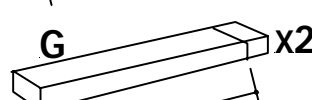
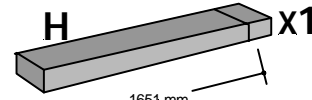
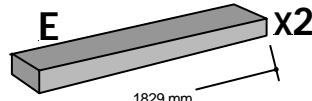
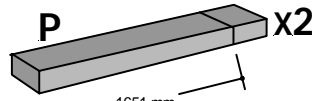


6' x 6' Peak Lumber Cuts Japanese



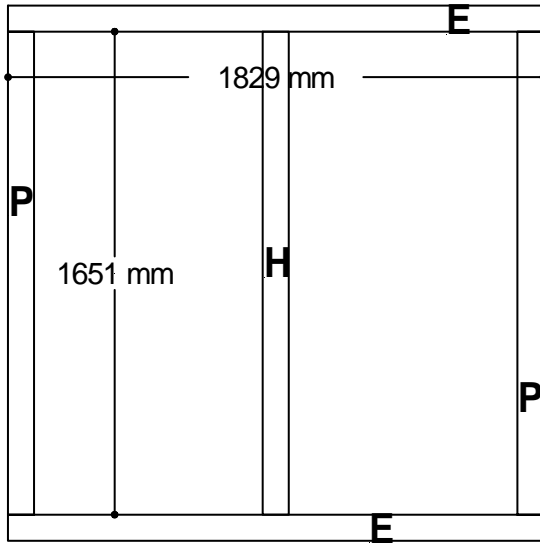
6 ft.

38mm x 89mm x 1829mm

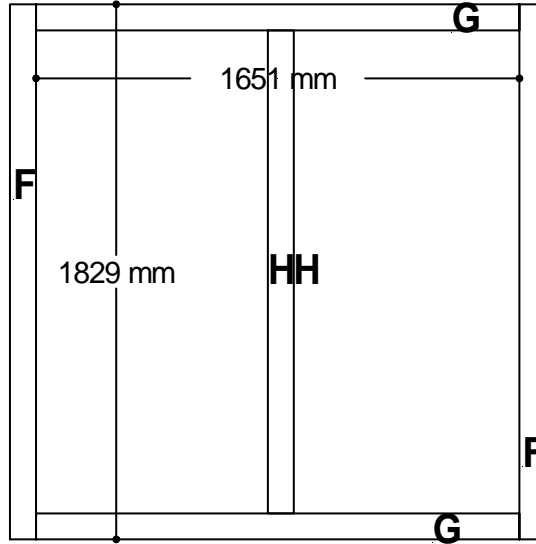


6' x 6' Floor Layout Japanese

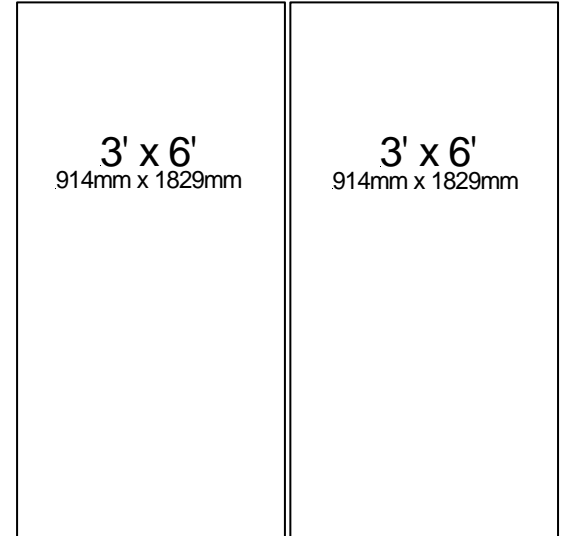
Bottom Floor Plan



Top Floor Plan

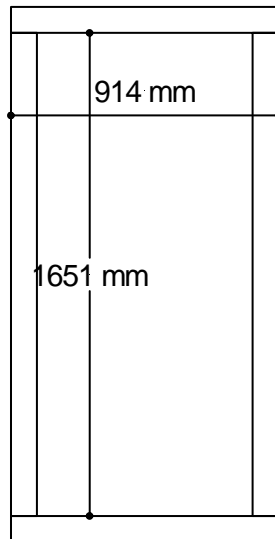


Sheet Floor Plan

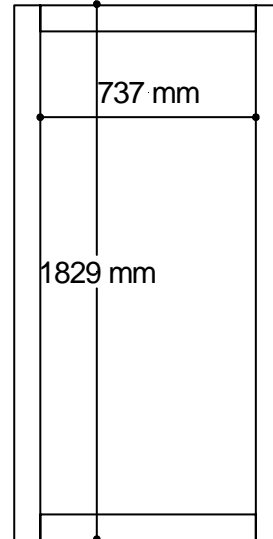


3' x 6' Floor Layout Japanese

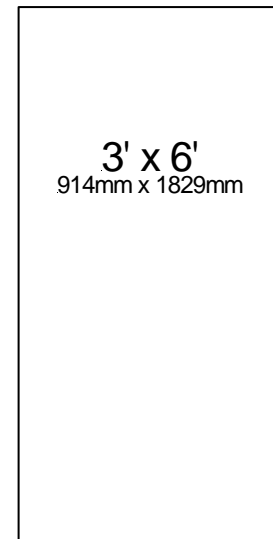
Bottom Floor Plan



Top Floor Plan



Sheet Floor Plan



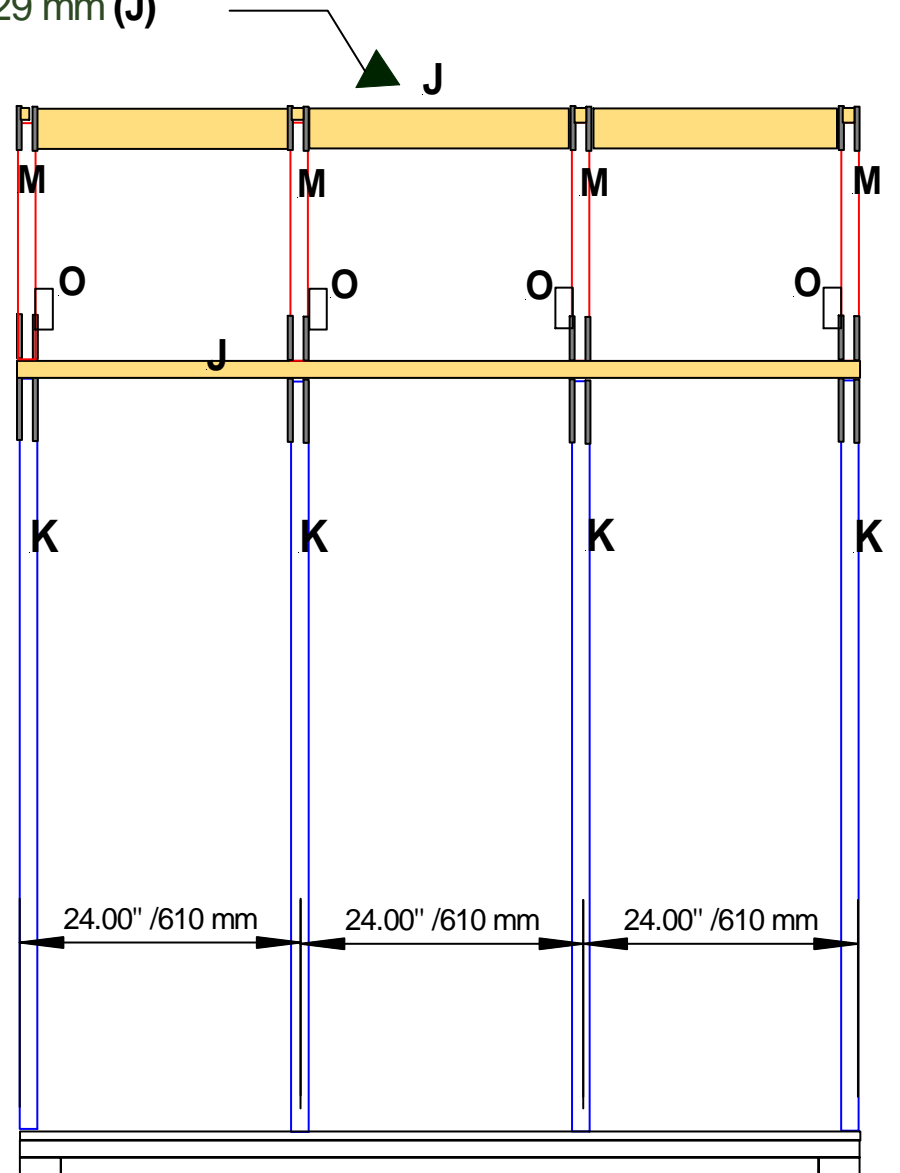
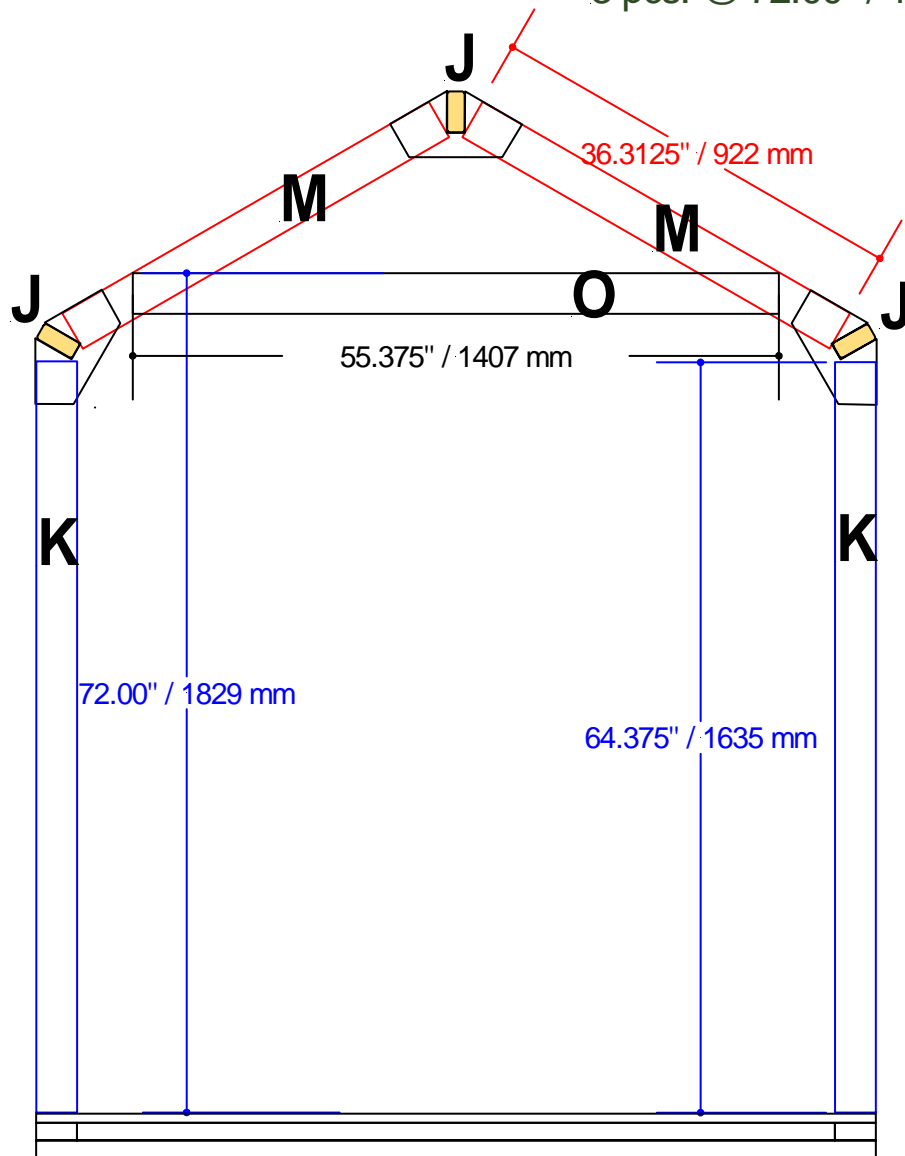
Frame/Truss Construction

8 pcs. @ 64.375" / 1635 mm (K)

8 pcs. @ 36.3125" / 922 mm (M)

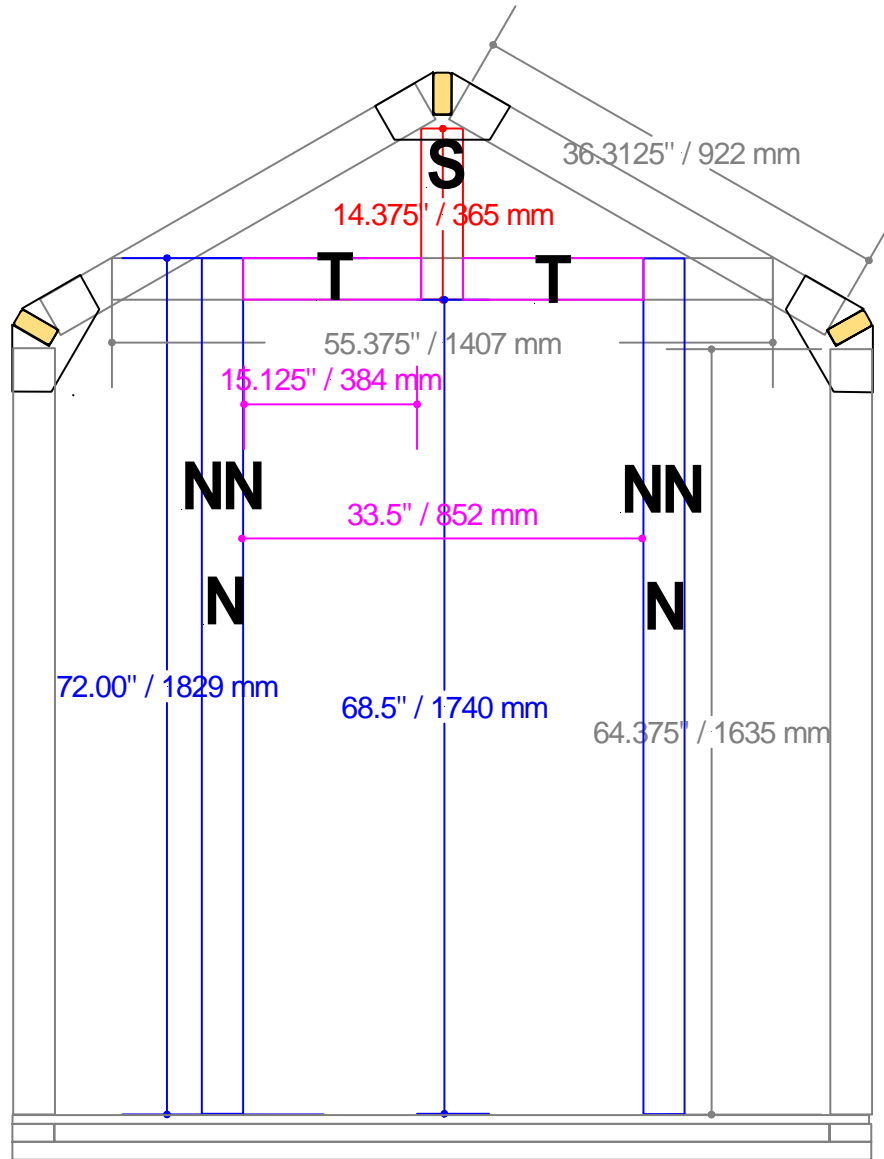
4 pcs. @ 55.375" / 1407 mm (O)

3 pcs. @ 72.00" / 1829 mm (J)



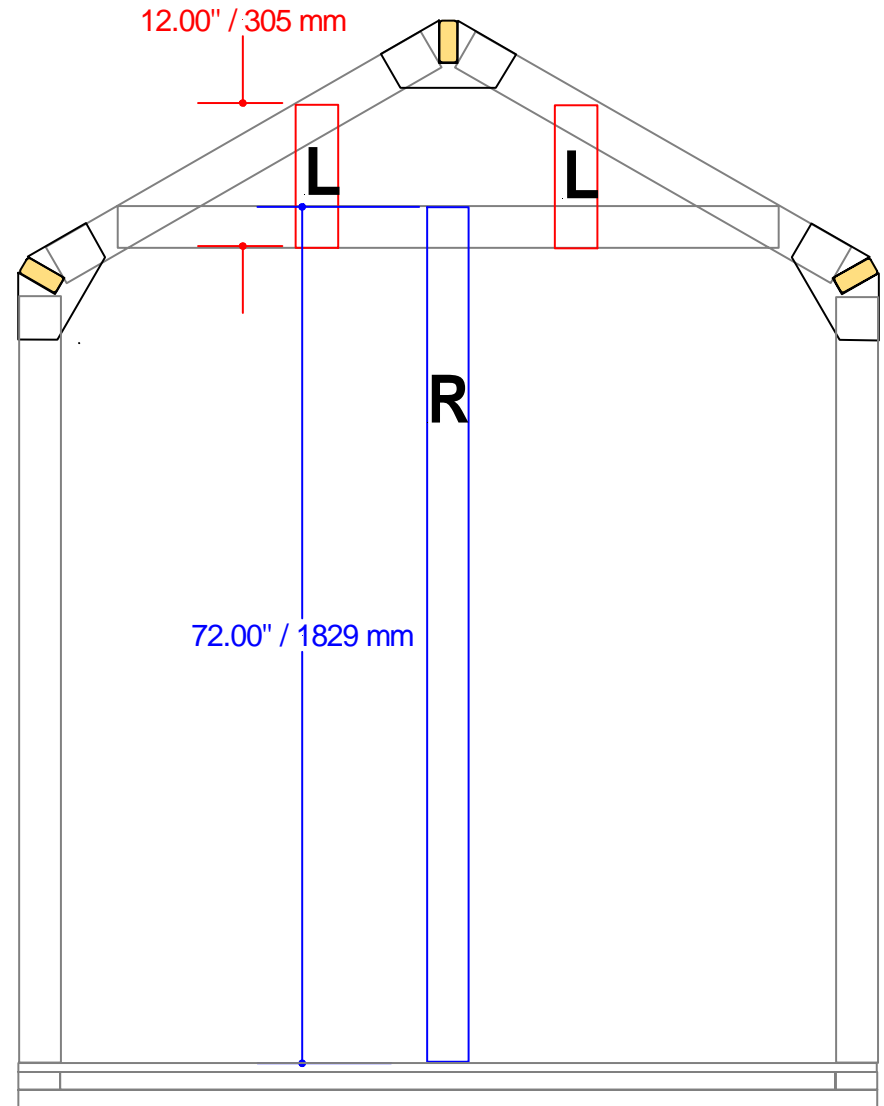
Door Frame Construction

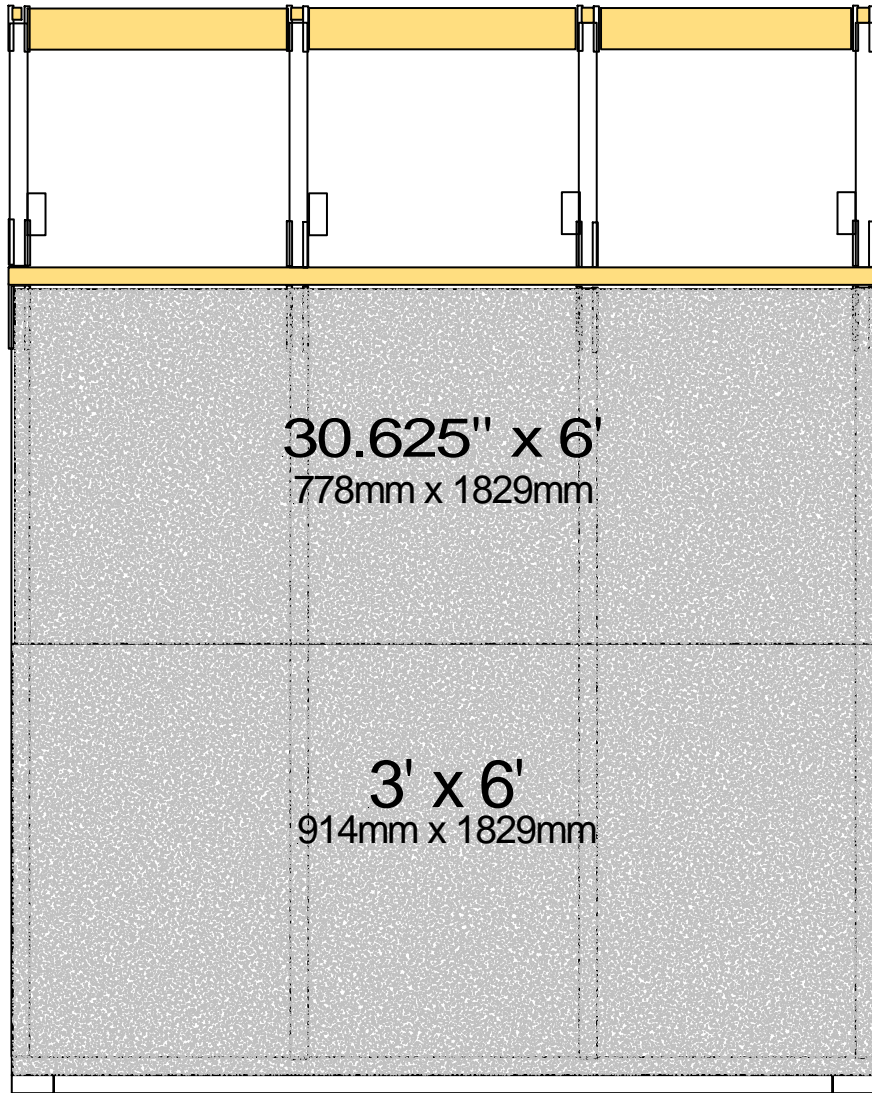
- 2 pcs. @ 72" / 1829 mm (N)
- 2 pcs. @ 68.5" / 1740 mm (NN)
- 1 pc. @ 14.375" / 365 mm (S)
- 2 pcs. @ 15.125" / 384 mm (T)



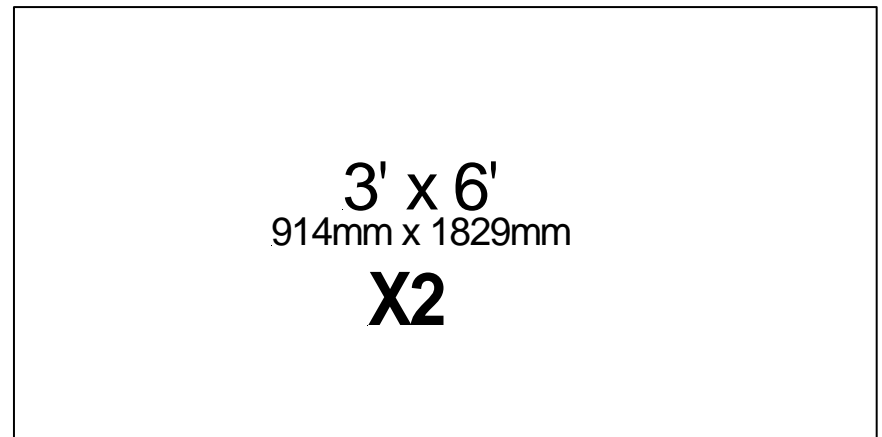
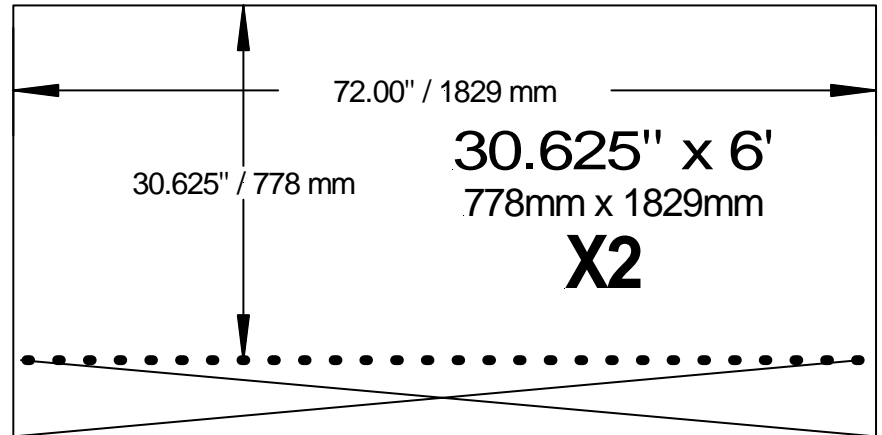
Back Wall Construction

- 1 pc. @ 72" / 1829 mm (R)
- 2 pcs. @ 12.00" / 305 mm (L)



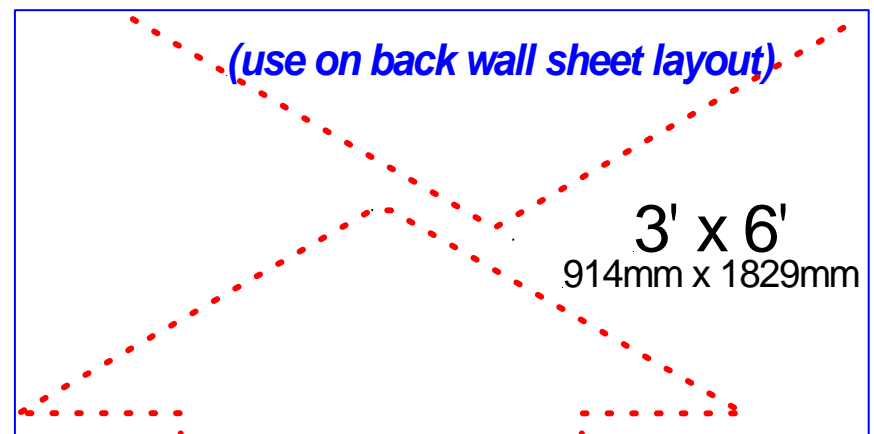
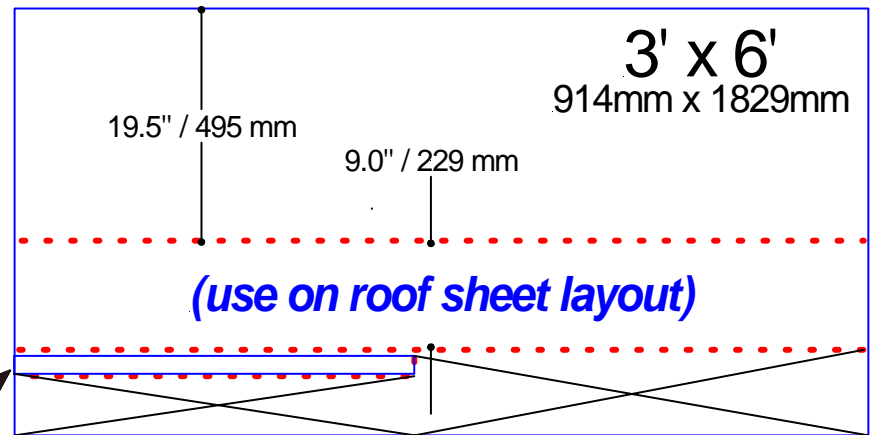
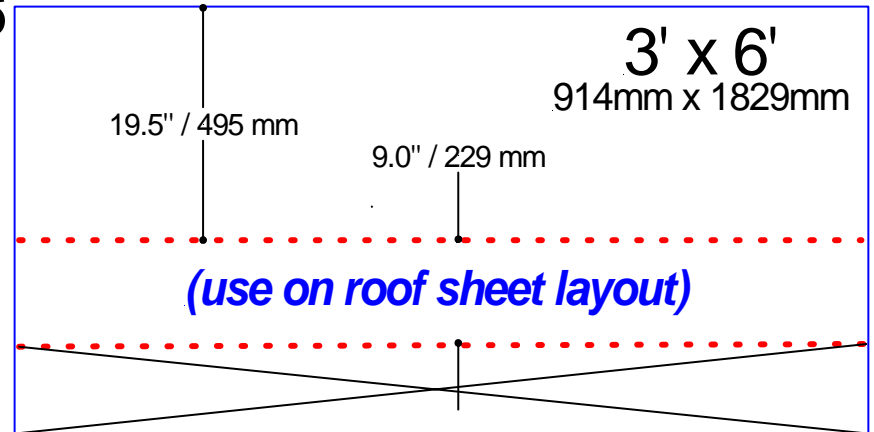
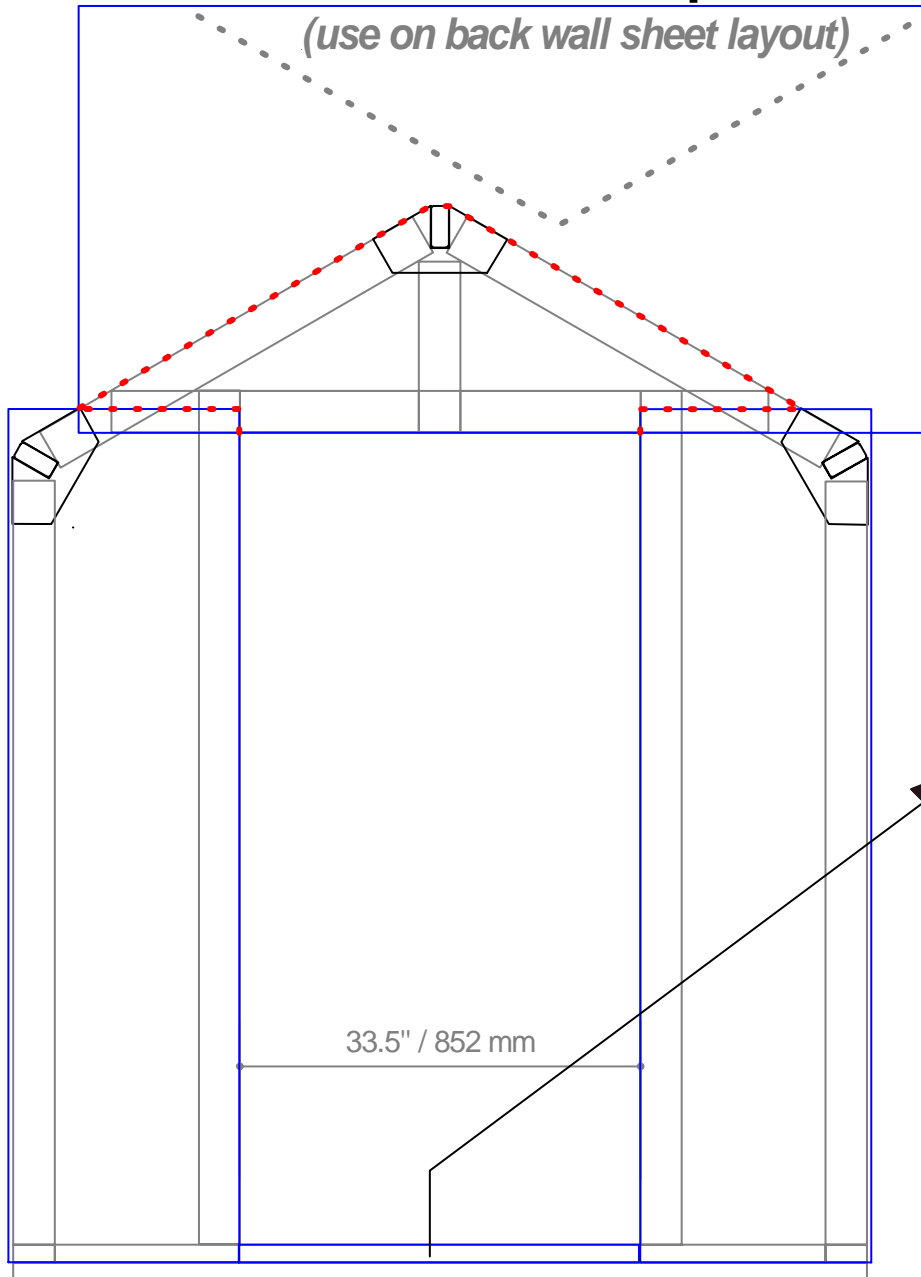


2 pcs. @ 3 x 6 / 914 mm x 1829 mm
 2 pcs. @ 30.625" x 6' / 778 mm x 1829 mm

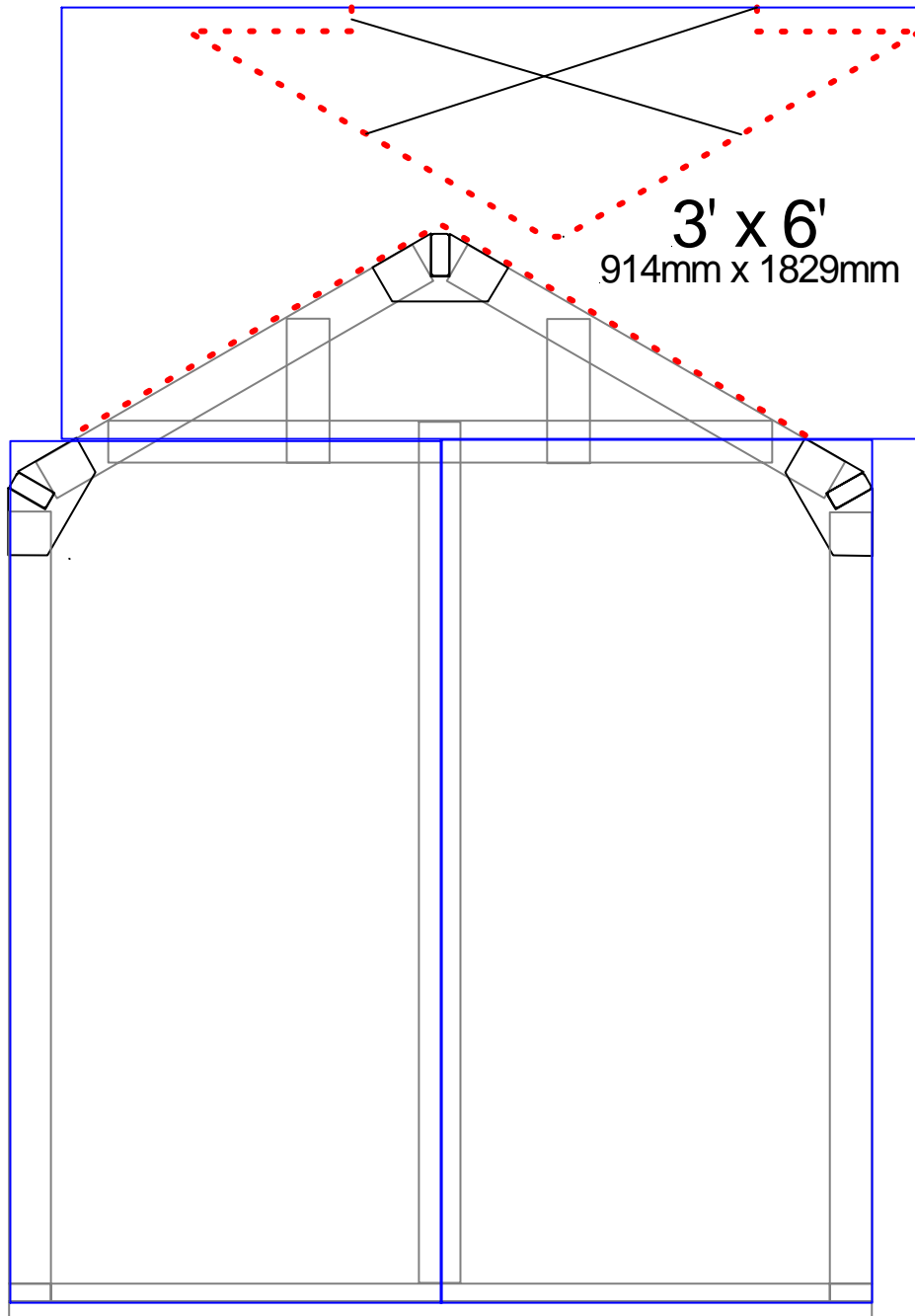


Front Wall Sheet

3 pcs. @ 3x6



Back Wall Sheet

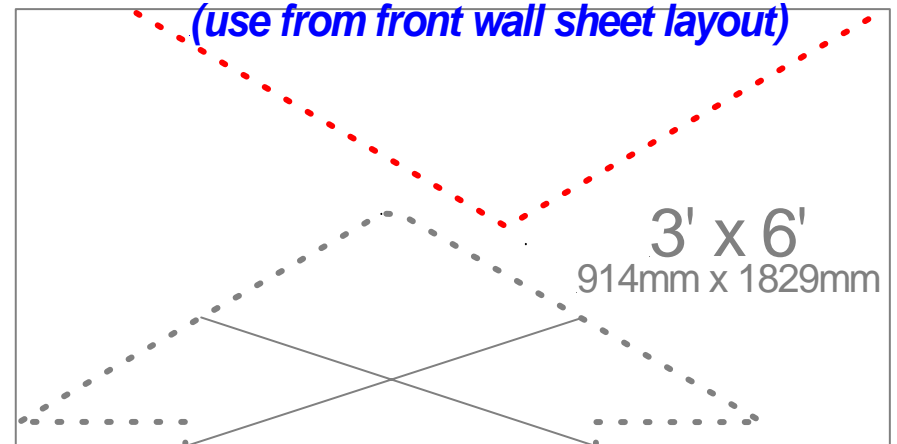


2 pcs @ 3x6

3' x 6'
914mm x 1829mm

X2

(use from front wall sheet layout)

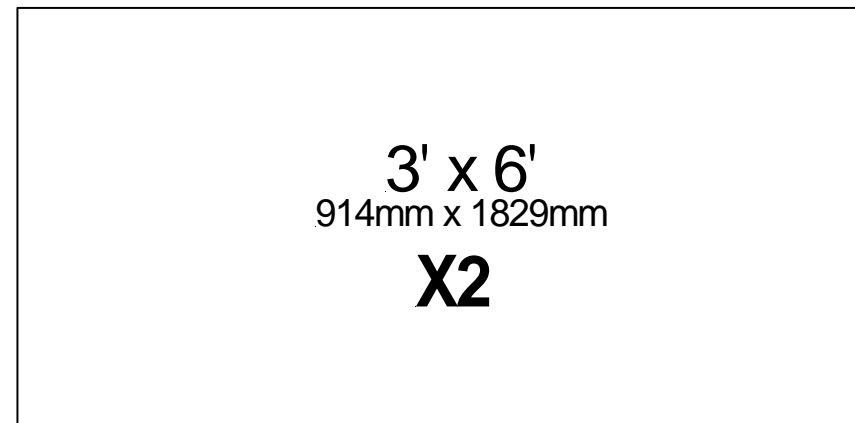
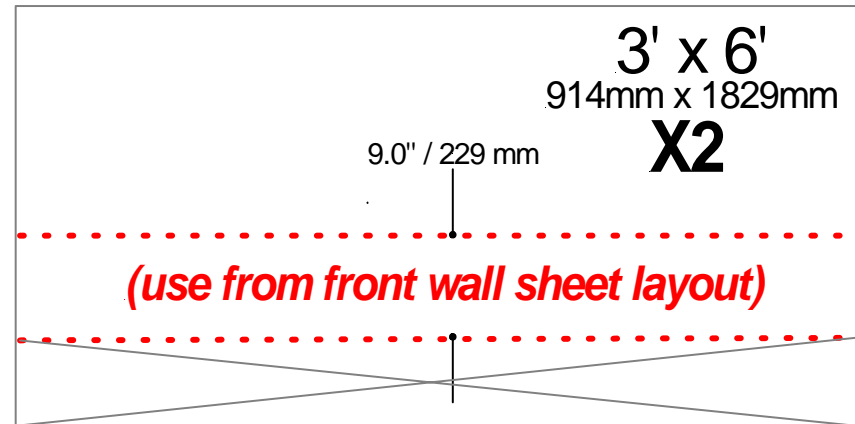
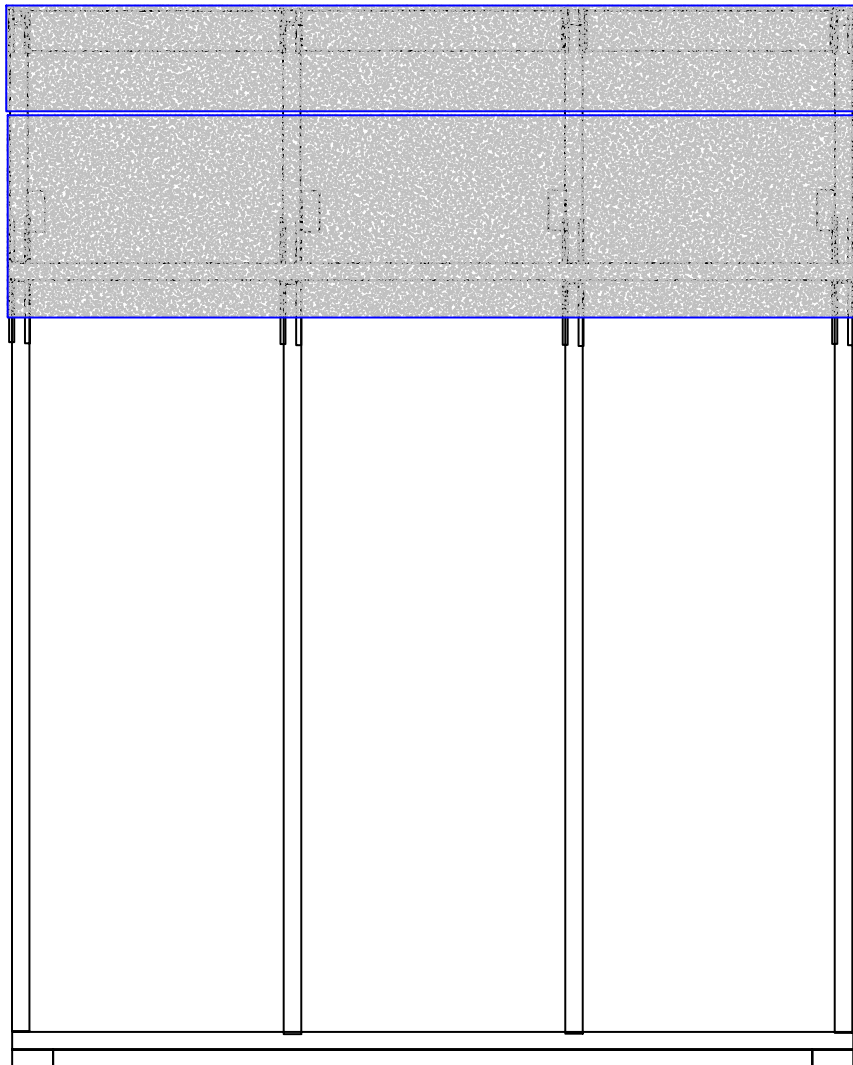
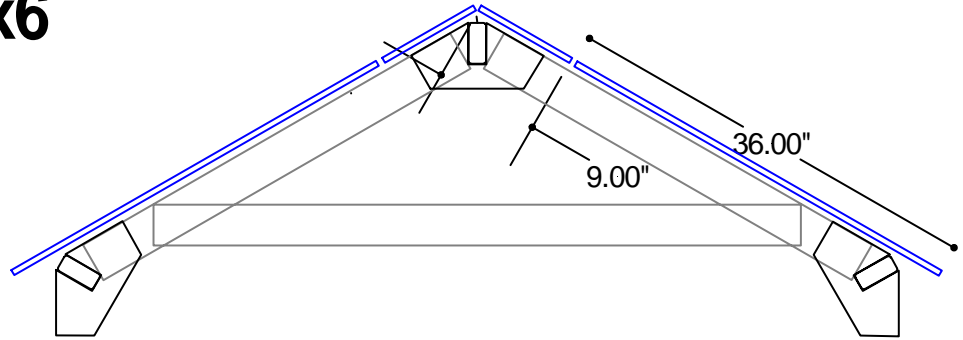


2 pcs @ 3x6

2 pcs. @ 3 x 6 / 914 mm x 1829 mm

2 pcs. @ 9.00" x 6' / 229 mm x 1829 mm

(use from front wall sheet layout)



Door Construction

2 pcs. @ 68.00" / 1727 mm (**Z**)

2 pcs. @ 29.75" / 756 mm (**ZZ**)

